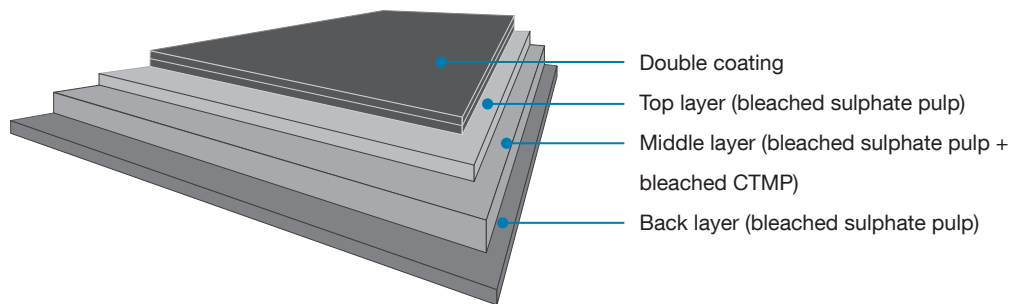


Performa Natura

Fully coated CTMP board with uncoated reverse



ISO 9001

Issued: 08.2010
Cancels: 02.2008

Specifications for Performa Natura:

Property / Unit	Tolerance										Standards
Grammage, g/m ²	±4%	195	210	230	255	270	295	320	350		ISO 536
Thickness, µm	±4%	260	280	320	350	390	430	470	510		ISO 534
Bending stiffness DIN 5° MD, mNm		10.2	13.2	18.3	23.0	30.6	40.4	51.0	64.6		ISO 2493
Bending stiffness DIN 5° CD, mNm		4.7	6.0	8.1	10.6	14.5	17.9	23.0	28.9		
Bending moment Taber 15° MD, mNm		5.8	7.5	10.4	13.0	17.4	22.9	29.0	36.7		
Bending moment Taber 15° CD, mNm		2.7	3.4	4.6	6.0	8.2	10.1	13.0	16.4		
Bending resistance L&W 15° MD, mN		120	155	215	270	360	475	600	760		
Bending resistance L&W 15° CD, mN		55	70	95	125	170	210	270	340		
Moisture, %		6.5	6.5	6.5	6.5	6.5	6.5	6.5	6.5		ISO 287
ISO Brightness C/2°, %		85	85	85	85	85	85	85	85		ISO 2470
Brightness D65/10°, Top		85	85	85	85	85	85	85	85		SCAN-P3
Surface Smoothness, PPS 10, µm		1.2	1.2	1.2	1.2	1.2	1.2	1.2	1.2		ISO 8791-4
Surface Smoothness, Bendtsen, ml/min		40	40	40	40	50	50	50	50		ISO 8791-2
Gloss 75°, %		45	45	45	45	45	45	45	45		ISO 8254-1
Scott Bond, J/m ²		200	200	200	200	200	200	200	200		TAPPI 569 pm-00
OBA not added											
Robinson chocolate test		max 0.5 for one year storage in reels/pallets									PrEN1230-2

All properties according to Imatra Mill measurements.

Test climate 23°C/50% RH (According to ISO 187). In order to verify, reel/pallet average shall be based on 5 single measurements randomly sampled within the reel/pallet. These averages will be for at least 19 of 20 reels/pallets within the specification limits.

Imatra Mills have certified FSC and PEFC Chain-of-Custody (CoC) systems as well as certified hygiene management system.

FSC: Certificate registration code SA-COC-001548 and SA-CW-001548
PEFC: Certificate registration no. 46786-2009-AE-FIN-FINAS

